



Get Organised

# Lateral Filing Cabinets



Prince Grey



Beige

Lateral Filing Cabinets are a versatile solution for your filing requirements. They provide easy storage, identification and handling of records. The 2-drawer Lateral filing cabinets easily fits next to a work table & the laminated top surface doubles up as a work surface.

## Features

**Smooth movement of drawers:** The precision telescopic drawer slides mechanism ensures smooth drawer movements and adhere to BIFMA performance standards. They are tested to 75000 cycles.

Option of wooden & metal top.

## Anti-rebound mechanism

Prevents the drawer from coming out after it is pushed in.

## Anti-tipping mechanism

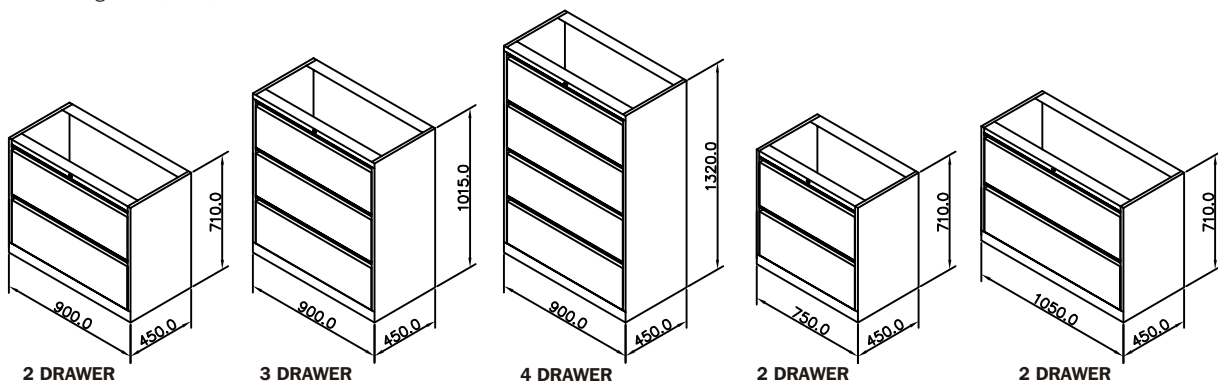
Allows only one drawer to be opened at a time preventing toppling over of the cabinet.

## Handle

Easy to grasp, recessed full-length drawer pulls.

## Product Range

2, 3 and 4 units in Prince Grey with DL Grey top and Beige with Rosewood/Teak top.



All dimensions are in mm

OPOS • DESKING • SEATING • STORAGE • INTERIORS



Branches:

**West:** Mumbai, Ahmedabad, Bhopal, Pune, Raipur.

**East:** Kolkata, Bhubaneshwar, Guwahati, Patna, Ranchi.

**North:** Delhi, Chandigarh, Faridabad-Ghaziabad, Jaipur, Lucknow.

**South:** Chennai, Bangalore, Hyderabad, Kochi, Vizag.

Local Address:

In keeping with the Godrej policy of continuous development and improvement, the dimensions and specification may be changed without prior notice or obligations. All dimensions are in mm and are subject to commercial tolerances. Colour options depicted in this catalogue are as close to the modern printing process allow.