

UB-2815C/UB-2315C Specifications

General

Power Supply	AC 220-240 V, 50/60 Hz
Power Consumption	0.35 A/0.12 A (Operational/Standby)
Display	1.8" Colour LCD
External Dimensions*1 (H x W x D, with stand)	
UB-2815C	Standard position 1,858 mm x 2,014 mm x 1,207 mm (73.2" x 79.3" x 47.6")
	High position 1,958 mm x 2,014 mm x 1,207 mm (77.1" x 79.3" x 47.6")
UB-2315C	Standard position 1,858 mm x 1,534 mm x 1,207 mm (73.2" x 60.4" x 47.6")
	High position 1,958 mm x 1,534 mm x 1,207 mm (77.1" x 60.4" x 47.6")
Weight*1	UB-2815C 39 kg (86 lbs) with stand
	UB-2315C 33 kg (73 lbs) with stand

Input Block

Panel Dimensions (H x W)*1	
UB-2815C	869 mm x 1,781 mm (34.2" x 70.1")
UB-2315C	869 mm x 1,300 mm (34.2" x 51.1")
Panel Surface	
Dual-sided, Enamel-coated, Steel Whiteboard	
Number of Panels	
2 flip-style surfaces (Front & Back)	
Scanning Area (H x W)	
UB-2815C	797 mm x 1,720 mm (31.3" x 67.7")
UB-2315C	797 mm x 1,240 mm (31.3" x 48.8")
Scanning System	
Scanner Movement Scanning System using Contact Image Sensor	
Scanning Time	
Colour-Fine: 48 seconds	
Colour-Standard: 26 seconds	
Black and White: 18 seconds	

Memory Output Block

Supported Memory Types*2	SD Memory Card, USB Flash Memory (Not included)
USB Flash Memory Interface	USB 2.0 (Full Speed, USB Master, A-Type Connector)
Support Format	SD Memory card: FAT16 format, Maximum capacity 2 GB USB Flash Memory: FAT16 format, Maximum capacity 2 GB
Store File Format	Colour Scanning: PDF or JPEG (JPEG Compression) Black and White Scanning: PDF or TIFF (G4 Compression)

Printer Output Block

Interface	USB 2.0 (Full Speed, USB Master, A-Type Connector)
Support Protocol	PCL 3 GUI (Most HP Colour Ink-Jet Printers)*2
Supported Printer	Referto the Internet home page*2
Print Resolution	300 dpi x 300 dpi
Continuous Printing	1 to 9 sheets
Print Size (H x W)	
UB-2815C	Standard size: 121.4 mm x 257.0 mm (4.7" x 10.1") on A4 Size Paper
	Full size: 170.0 mm x 257.0 mm (6.6" x 10.1") on A4 Size Paper
UB-2315C	Standard size: 168.4 mm x 257.0 mm (6.6" x 10.1")

PC Interface

Computer	IBM® PC/AT® or compatible PC with a CD-ROM drive
CPU	Pentium® II or higher processor
Interface	USB 2.0 Full Speed or USB 1.1
Operating System	Windows® XP, Windows® 2000
Memory	Windows® XP: 256 MB or more, Windows® 2000: 128 MB or more
Hard Disk	Min. 100 MB free space (except saving space for data files)

Bundled Software

USB & TWAIN Drivers
Panasonic - DMS (Document Management System) Software

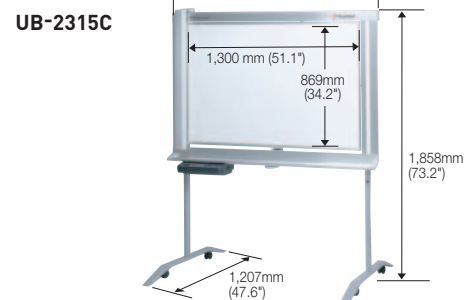
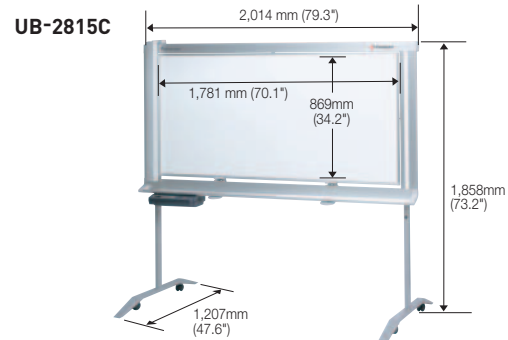
Included Accessories & Consumables:

Mobile Floor Stand
Clock Battery (CR2032)
Markers (1 Black, 1 Red and 1 Blue), 1 Eraser & 2 Magnets

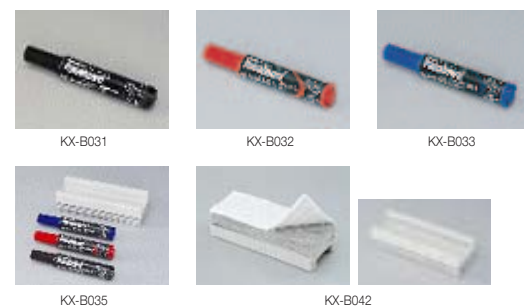
Optional Consumables

Markers and Eraser Set (for Print Board)	KX-B035 (1 black, 1 red, 1 blue markers and 1 eraser)
Eraser	KX-B042 (set of 6 erasers)
Markers	KX-B031 (set of 10 black markers)
	KX-B032 (set of 10 red markers)
	KX-B033 (set of 10 blue markers)

Dimensions (Including attached stand)



Options/Consumables



*1 Dimensions and weight are approximate.

*2 For information regarding available USB flash memory devices, SD memory cards, and printers, refer to the following site:
http://panasonic.co.jp/pcc/products/en/eboard/ub-2815c_info.htm

- Microsoft® and Windows® are either registered trademarks or trademarks of Microsoft Corporation in the United States and/or other countries.
- IBM and AT are trademarks of International Business Machines Corporation in the United States, other countries, or both.
- Pentium is a trademark or registered trademark of Intel Corporation as its subsidiaries in the United States and other countries.
- SD Logo is a trademark.
- All other brand or product names are the property of their respective holders.

Design and specifications are subject to change without notice.

ISO 9001 Quality Management System

Our business processes which produce document, information and network products, from manufacturing to marketing, conform to ISO 9001 Quality Management Systems standard. Design, development, manufacture, installation, repair and maintenance of document, information and network products, their associated devices and consumables. In addition, the plants outside Japan have acquired ISO 9001 certification.



Panasonic

ideas for life



Colour Electronic Board

UB-2815C UB-2315C

“Direct & Colour” Office Solution

- Colour Scanning System
- SD Memory Card/USB Flash Memory Storage
- Colour Output Capability
- USB PC Interface with Panasonic Document Management Software
- Automatic Date & Time Stamp




MG-C475EE 0607 Printed in Japan

create, save and share ... in colour

Colour Electronic Whiteboard
Panaboard UB-2815C/2315C

Colour Scanning Capability

Panaboard Anything you write on the board with colour markers can be scanned and saved allowing you to capture and distribute an accurate colour representation of your meeting notes. The scanned data can be saved in industry standard PDF or JPEG file formats. A time stamp function allows you to insert the current date and time in the upper right corner of your saved images, facilitating easier organisation and filing.

SD Memory Card & USB Flash Memory

A built-in SD Memory Card slot and USB Flash Memory port allow you to store your data directly on a removable SD Memory Card or USB Flash Memory device and transfer it to a PC, making the UB-2815C/2315C suitable for today's "paperless" file sharing demands.

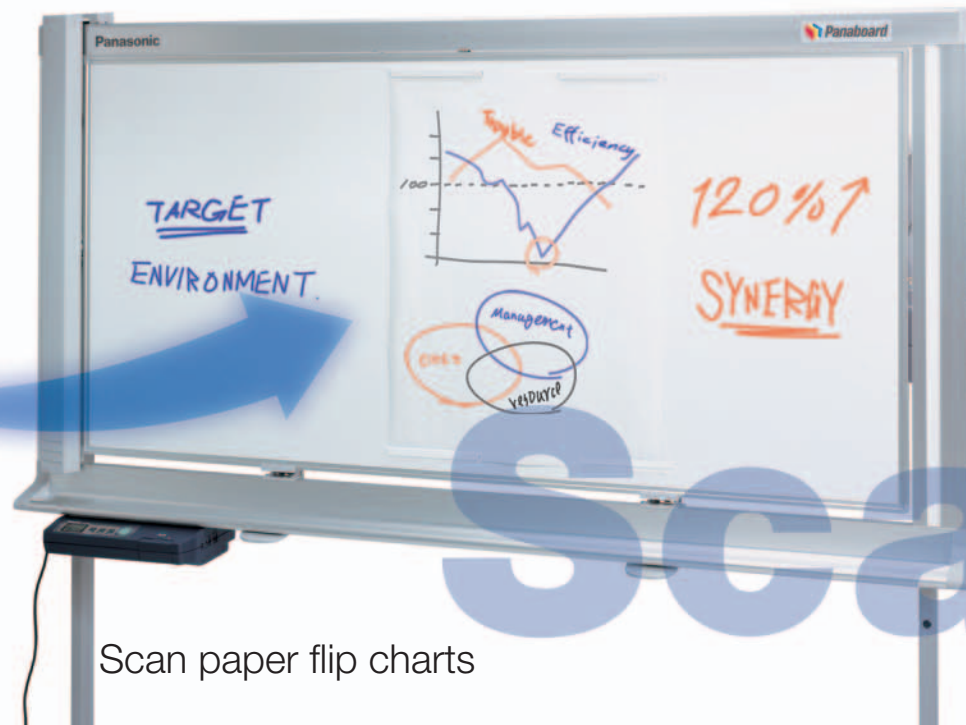


2-Panel Steel Whiteboard

The smooth steel board surface is durable, easy to write on, and easy to clean. Both the front and back surfaces are whiteboards and switching between them is made simple by flipping the board using an ergonomic lever.



Scans & saves paper flip charts



Scan paper flip charts

Colour LCD for Easy Operation

For added convenience, the UB-2815C/UB-2315C comes with a high-resolution 1.8-inch colour LCD that enables you to easily operate a variety of functions, as well as to confirm scanned images on the LCD screen.



Running Scanner Type

The UB-2815C/2315C employs a "Running Scanner Type" design whereby the scanner module runs above the electronic board surface. This means you can attach flipcharts or other printed material to the board surface and scan them together with anything written directly on the board.



Panasonic Document Management System Software

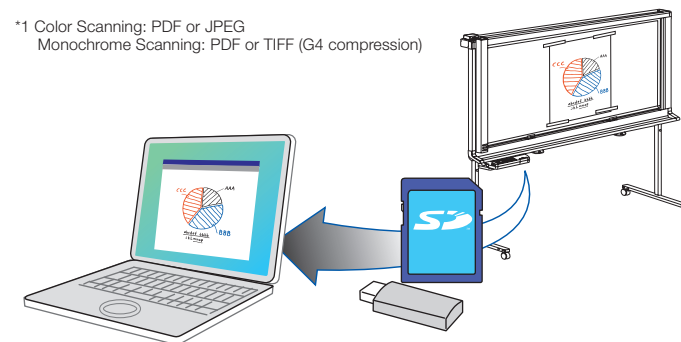
You can transfer the scanned data to your PC via SD Memory Card or USB Flash Memory. With the bundled Panasonic Document Management System software installed on your PC, you can easily edit, print or distribute the scanned data.



PC-Free Data Storage Solution

Scanned data can be saved in PDF or JPEG/TIFF*1 formats on an SD Memory Card or USB Flash Memory. These can be transferred to your PC from which you can easily edit using the bundled Panasonic Document Management Software.

*1 Color Scanning: PDF or JPEG
Monochrome Scanning: PDF or TIFF (G4 compression)



PC-Free Printing Solution

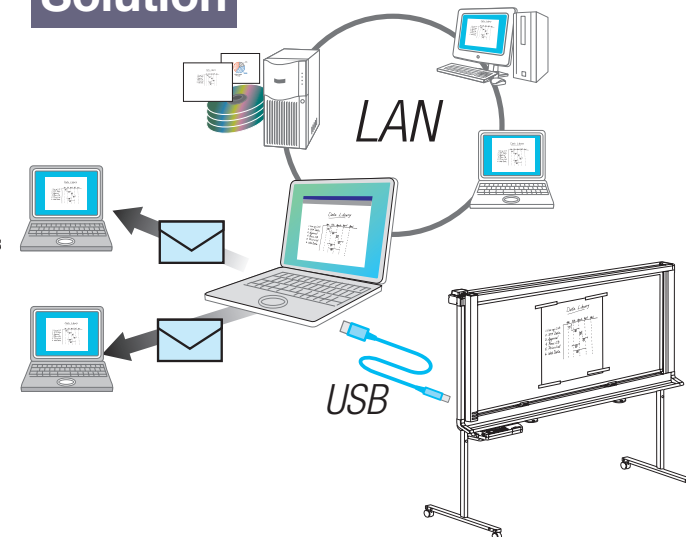
You don't need a PC to print a copy of the material on your board. If your MFP or Printer is equipped with an SD Memory Card slot or USB Flash Memory slot, you can print your data without using a PC. Just plug the storage memory device into the printer and press the Print button.



DP-C322/C262

Direct PC Connectivity Solution

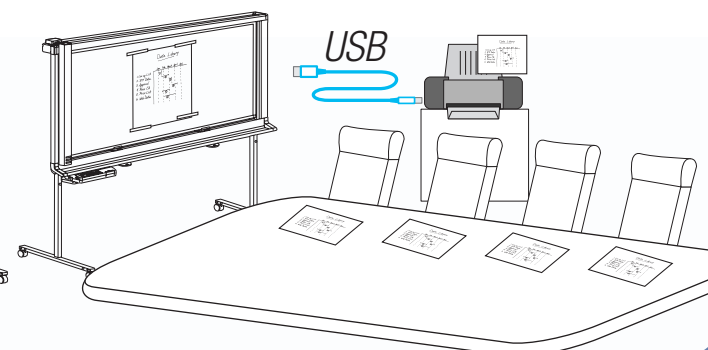
For maximum convenience and efficiency, install the included software on your PC and connect it directly to the UB-2815C/2315C's USB PC Interface port.



Direct Colour Printing Solution

The UB-2815C/2315C comes standard with a USB printer port. You can connect a PC printer*2 directly to the board using the USB printer cable and print your data in vivid colour.

*2 For information regarding available printers, refer to the following site: http://panasonic.co.jp/pcc/products/en/eboard/ub-2815c_info.htm



Save

or, USB Flash Memory.....

Save direct on SD Memory Card.....

And transfer to PC...

