

## ENRICHING LIFE BY TRANSFORMING WORKPLACES

Godrej Interio is the undisputed leader in the Indian furniture industry, mainly due to the trust reposed by its customers for over 60 years. With its international affiliations and own R&D facilities, Godrej Interio has constantly evolved with the times, designing and developing world-class furniture and interior solutions customised for the Indian marketplace.

Godrej Interio works closely with leading architects, interior designers and R&D specialists to offer a plethora of solutions to a variety of industry segments (such as corporates, financial institutions, IT and ITES), unmatched by any other furniture brand in the country today. With an established network of offices, manufacturing facilities, customer care centres, 37 modern spacious showrooms and over 700 dealers, Godrej Interio is not only best-qualified to solve, but also quick to respond to your furniture and interiors requirements.

Godrej Interio carries the **Godrej stamp of quality and reliability**, and is a certified **ISO 9001:2000 and ISO 14001:2004** Division of the company.



New dimensions in workspace technology

OPOS • DESKING • SEATING • STORAGE • INTERIORS



Branches:

- West:** Mumbai, Ahmedabad, Bhopal, Pune, Raipur
- East:** Kolkata, Bhubaneshwar, Guwahati, Patna, Ranchi
- North:** Delhi, Chandigarh, Fariabad, Ghaziabad, Jaipur, Lucknow
- South:** Chennai, Bangalore, Hyderabad, Kochi, Vizag

Local Address:

In keeping with the Godrej policy of continuous development and improvement, the dimensions and specification may be changed without prior notice or obligations. Accessories shown in photographs are not part of the standard equipment. The colour of the products may vary due to printing limitations.

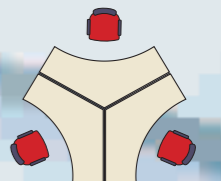
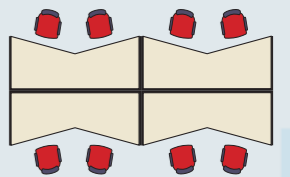
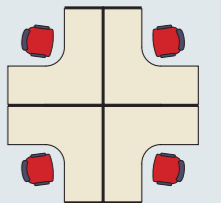
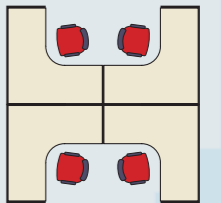
Interio / R-Enova / 47 / Collateral / June 07



**ENOVA**  
International Modular  
office systems



Configurations



Godrej offers you the latest in workspace technology. Called ENOVA, this new technology gives modular office furniture a whole new dimension in functionality and aesthetics.

Built on the international concept of tile-and-frame structures, ENOVA can be installed anywhere, giving you the freedom and the flexibility to design your office space to suit your needs.

**Enhanced Wire Management**

ENOVA offers enhanced wire management to suit your users and retain workplace

aesthetics. Not only can cables be laid-in and fed-through, cable entry is possible from any point at the bottom of the panels. The system, thus, gives **unparalleled flexibility** in wire management. With ENOVA, there is also a **huge capacity** for wire management. At the intermediate raceway level, there is 5720cm<sup>3</sup> of inner space with capacity to install hidden power outlets (internal switches) or exposed outlets (external switches), either above or below the work surface.

At the bottom fascia level, there is 4800cm<sup>3</sup> of inner space providing ample carrying

capacity of power and data cables, which can be easily concealed. This means, you can route wires and data cables through the intermediate raceways or raceways at the bottom of the structure with great ease.

**Flexible & Robust**

ENOVA tiles are supported by metal frames, forming **84mm** thick partitions, locked together firmly to deliver a **robust and stable** structure that supports the tiles and the work surfaces. Giving you ample opportunity to plan and configure your work surfaces, seating and storage to suit your needs.

Another important feature of ENOVA is its **stackability** function where, on a base frame of 950mm, you can stack extension frames in steps of 300mm or 400mm.

ENOVA's structure is **scalable** and lets you create spaces in the sizes and shapes you need. As the tiles come in varying sizes, you can adjust the workstation structure and its height according to your needs. So, planning around architectural features like columns becomes easy.

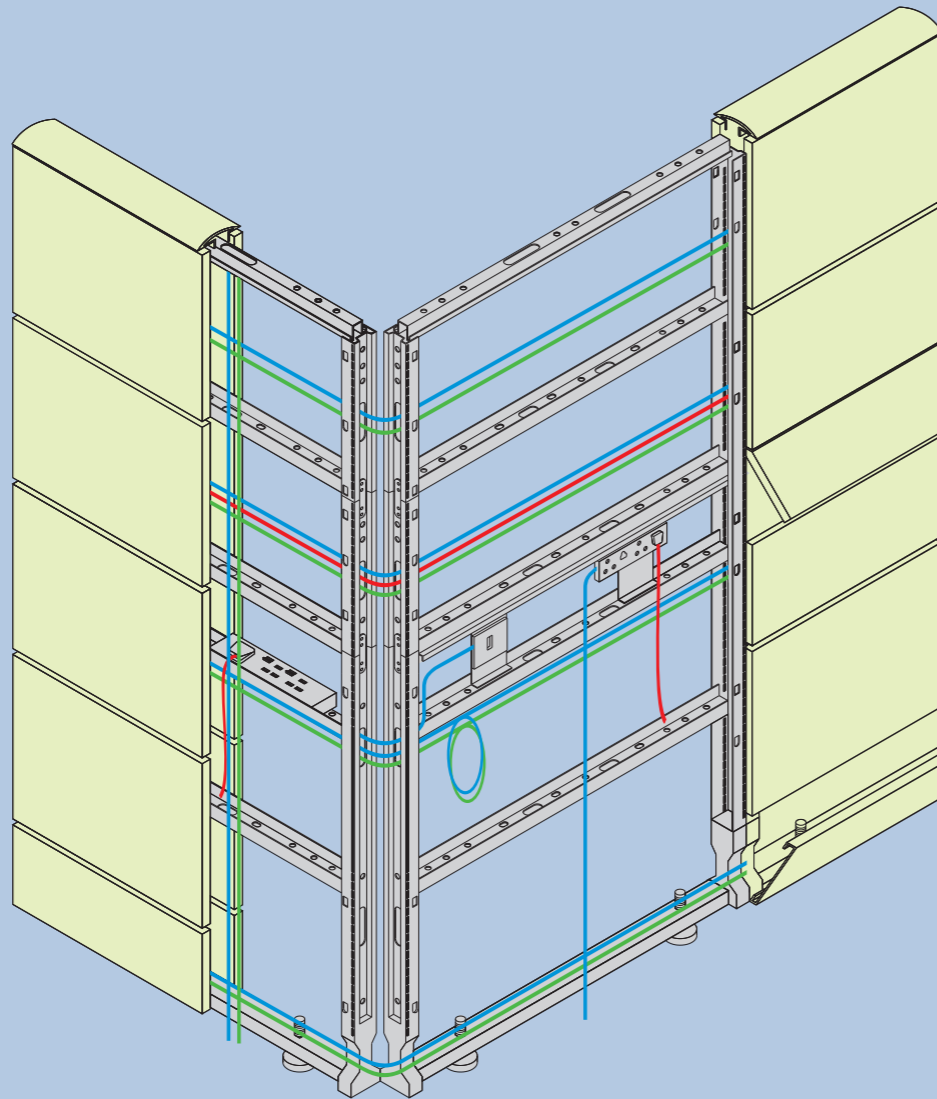
ENOVA tiles come in an array of sizes, colours, textures and materials such as fabric, laminates and metal. The tiles fit

together snugly, so the **look is virtually seamless**. What's more, opposite sides of the same structure can have different aesthetics and functions.

**Adaptable to Future Needs**

ENOVA allows you to plan freely, with no placement obstructions and no restrictions. With ENOVA you can remove components and disassemble the structure of one workstation without disturbing adjacent work areas or workplace aesthetics.

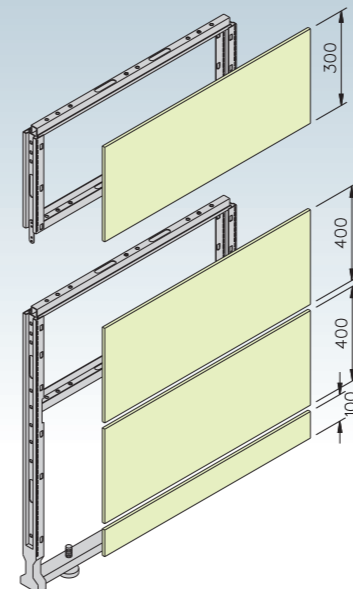
**Designed to adapt almost infinitely, ENOVA is the system you won't outgrow easily.**



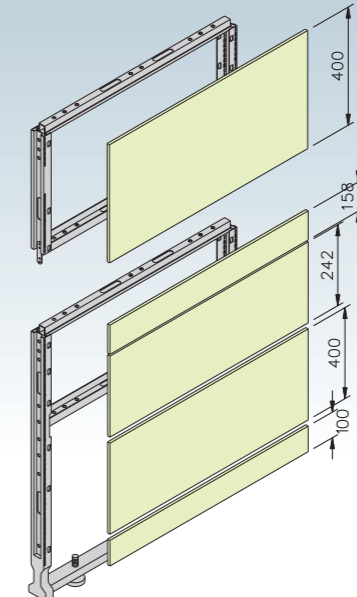
### POWER AND DATA MANAGEMENT

- Cable entry possible from any point at the bottom of the panel, giving unparalleled flexibility in drawing wires from the floor.
- Increased capacity to carry wires either as lay-in or as feed-through.
- Provision to install hidden internal switches as well as exposed external switches both above or below the worktop surface.

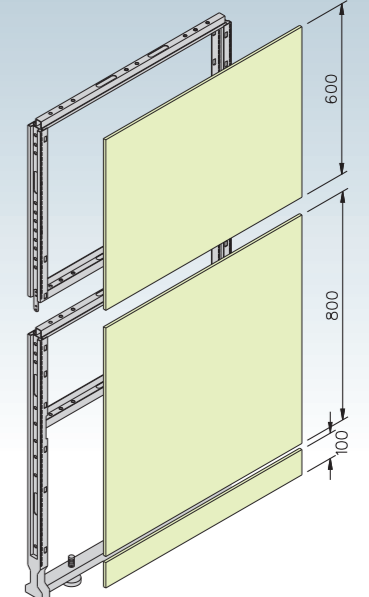
### PANEL (Frames & Tiles)



Open Plan System  
(Add-on panel height - 300mm)  
H - 950, 1250, 1550, 1850, 2150  
W - 450, 600, 750, 900, 1050, 1200, 1500



Open Plan System  
(Add-on panel height - 400mm)  
H - 950, 1350, 1750, 2150  
W - 450, 600, 750, 900, 1050, 1200, 1500

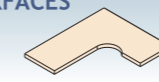


Wall System  
H - 2550  
W - 450, 600, 750, 900, 1050, 1200, 1500

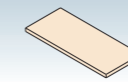
### TILES

- Fabrics
- Pinnable
- Acoustic
- Laminates
- Slated tiles for mounting accessories
- Metal Perforated/Embossed
- Polycarbonates
- Whiteboards
- See through Glass

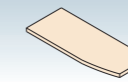
### WORKSURFACES



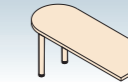
L - Shape  
Worksurface



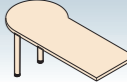
Rectangular  
Worksurface



S - Curved  
Worksurface



Semi-suspended  
Half Round Worksurface

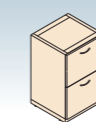


Semi-suspended  
P-Shape Worksurface

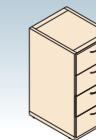
### STORAGE



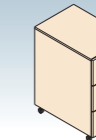
Fixed Pedestal  
(2 box, 1 file)



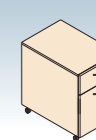
Fixed Pedestal  
(2 file)



Fixed Pedestal  
(4 box)



Mobile Pedestal  
(3 box)



Mobile Pedestal  
(1 box, 1 file)

### UPHOLSTERY FABRIC



SILVER LIME SAND TURQUOISE RED LIGHT GREY WATER ICE MINT LACQUER RED

### LAMINATES



CHERRY OAK BEECH MAPLE GREY WHITE

### METAL



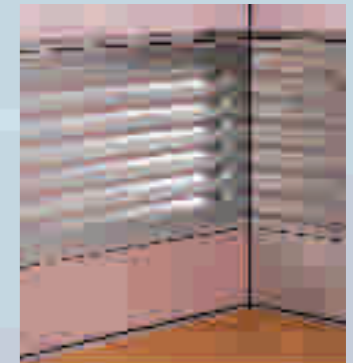
SILVER CHAMPAGNE GRAPHITE BLACK



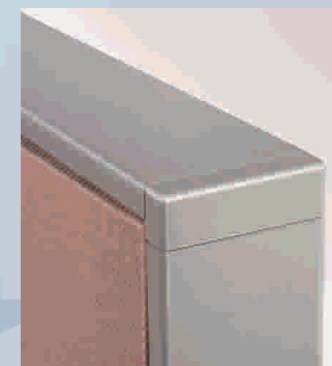
**E NOVA**  
International Modular  
office systems



Various tile combinations to form compositions or types of panels



Plain, frosted, etched and coloured glass options



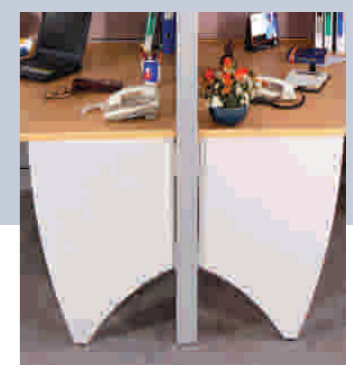
Strong & Rigid Partition System with overall panel thickness of 84mm



Data and Power Point Management

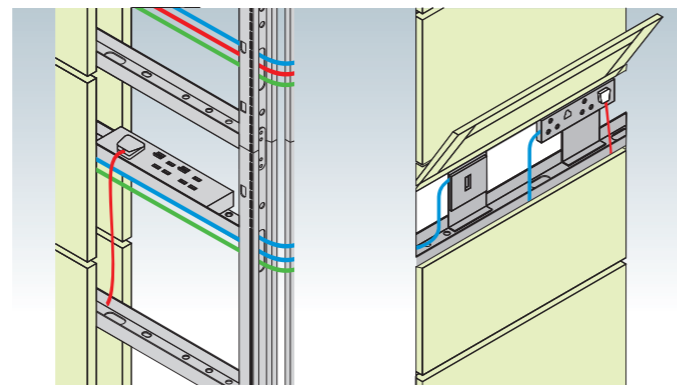


Curvilinear worktops with choice of many shapes & sizes



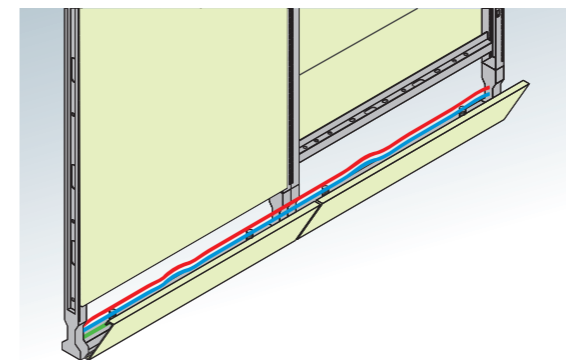
Elegant curved worksurface support panel

**Intermediate Raceway:**



5720cm<sup>3</sup> of inner space with capacity to install hidden power outlets (internal switches) or exposed power outlets (external switches), either above or below the worksurface, to carry wires in gap between frames & tiles giving unparalleled flexibility in wire management.

**Bottom Raceway:**



4800cm<sup>3</sup> of inner space with ample carrying capacity of data and power cables, which can be easily concealed. Cable entry possible from any point at bottom of panel, giving flexibility to draw wires from the floor.



Overhead units for space optimization with flexible mounting



Mobile Pedestal storage units